



CERTIFICATE OF APPROVAL

No CF 160

This is to certify that, in accordance with
TS00 General Requirements for Certification of Fire Protection Products
The undermentioned products of

JELD-WEN UK LIMITED

Woodhouse Mill, Sheffield, South Yorkshire S13 9WH
Tel: 0114 2542000 Fax: 0114 2696696

Have been assessed against the requirements of the Technical Schedule(s)
denoted below and are approved for use subject to the conditions
appended hereto:

CERTIFIED PRODUCT
FD30 Timber Door
Assemblies

TECHNICAL SCHEDULE
TS10 Fire Resisting Door
Assemblies with Non
Metallic Leaves

Signed and sealed for and on behalf of Warringtonfire Testing and Certification Limited

Paul Duggan
Certification Manager



Issued: 7th October 1997
Revised: 28th July 2023
Valid to: 21st August 2027





CERTIFICATE No CF 160

JELD-WEN UK LIMITED

JELD-WEN UK LIMITED FD30 TIMBER DOOR ASSEMBLIES

This approval relates to the use of the above doors with flush faces in providing fire resistance of 30 minutes insulation (if incorporating not more than 20% of uninsulating glass) and 30 minutes integrity as defined in BS 476: Part 22.

This approval also relates to the use of the above doors with moulded faces in providing fire resistance of 30 minutes integrity only as defined in BS 476: Part 22.

Subject to the undermentioned conditions, the doors would be expected to meet the relevant requirements of BS 9999 for FD30 door assemblies when used in accordance with the provisions therein.

Door assemblies comprising door leaves with moulded facings shall provide 30 minutes integrity performance only as defined in BS 476

1. This certification is provided to the client for their own purposes, and we cannot opine on whether it will be accepted by Building Control authorities or any other third parties for any purpose.
2. The doors are approved on the basis of:
 - i) Initial type testing
 - ii) A design appraisal against TS10
 - iii) Inspection and surveillance of factory production control
 - iv) Certification under a CERTIFIRE approved Quality Management System
 - v) Audit testing in accordance with TS10
3. The doors comprise cellulosic (flaxboard) cored, timber framed leaves in various finishes for use with timber, MDF or mild steel frames, with intumescent edge seals (ITT & ITM FD30).
4. This approval is applicable to both complete door assemblies and door leaves. Where the door is not supplied in a fully fitted form it is a condition of this approval that an agreed Data Sheet accompanies the product and is complied with in its entirety. Failure to do so will invalidate this approval and may jeopardise the fire performance of the door.
5. Glazing shall only be undertaken by the door manufacturer, or a CERTIFIRE approved Licensed Door Processor, and shall be in accordance with the Data Information Sheet and Construction Specification. No site cutting or glazing of apertures is permitted.
6. Hardware items, including closing devices and intumescent fire seals, shall be as specified in the Data Sheet.
7. The door assembly shall be mechanically fixed to wall constructions having a fire resistance of at least 30 minutes.

CERTIFICATE No CF 160 JELD-WEN UK LIMITED

JELD-WEN UK LIMITED FD30 TIMBER DOOR ASSEMBLIES

8. This approval is applicable to latched and unlatched, single-acting, and double-acting, single and double-leaf, ITT assemblies and latched, single-acting, single leaf, ITM assemblies, at leaf dimensions up to those given in Table 1, 2, 3, 4, 5, 6 & 7 below:

Door leaves with Double Rails and ISL Intumescents – Timber / MDF Frames

Door assembly configuration <u>Double rails to door leaf</u>	Maximum Height (mm)	Maximum Width (mm)	Max Area (m ²)
Single-Acting, Single-Leaf Latched / Unlatched	2621 (at 912 wide)	1121 (at 2132 high)	2.39
Single-Acting, Double-Leaf Latched / Unlatched	2469 (at 907 wide)	1043 (at 2148 high)	2.24
Double-Acting, Single-Leaf Latched / Unlatched	2555 (at 912 wide)	1106 (at 2080 high)	2.30
Double-Acting, Double-Leaf Latched / Unlatched	2555 (at 912 wide)	1106 (at 2080 high)	2.30

Table 1

Door leaves with Single Rails and ISL Intumescents – Timber / MDF Frames

Door assembly configuration <u>Single rails to door leaf</u>	Maximum Height (mm)	Maximum Width (mm)	Max Area (m ²)
Single-Acting, Double-Leaf Latched / Unlatched	2040 (at 927 wide)	927 (at 2040high)	1.89

Table 2

Door leaves with Single Rails and Pyroplex CF355 Intumescents – Timber / MDF Frames

Door assembly configuration <u>Single rails to door leaf</u>	Maximum Height (mm)	Maximum Width (mm)	Max Area (m ²)
Single-Acting, Single-Leaf Latched Only	2536 (at 966 wide)	1173 (at 2087 high)	2.45
Single-Acting, Single-Leaf Latched / Unlatched	2621 (at 912 wide)	926 (at 2581 high)	2.39

Table 3

Note: Under no circumstances must either the maximum height or maximum width be exceeded without separate CERTIFIRE approval.

Double leaf doorsets may incorporate leaves of unequal width providing the smaller leaf is a Minimum of 40% of the width of the larger leaf.

Both leaves of pairs are to be of identical construction, including No of rails.



CERTIFICATE No CF 160 JELD-WEN UK LIMITED

JELD-WEN UK LIMITED FD30 TIMBER DOOR ASSEMBLIES

Door leaves with Double Rails and Pyroplex CF355 Intumescents – Timber / MDF Frames

Door assembly configuration <u>Double rails to door leaf</u>	Maximum Height (mm)	Maximum Width (mm)	Max Area (m²)
Single-Acting, Single-Leaf Latched Only	2536 (at 966 wide)	1173 (at 2087 high)	2.45
Single-Acting, Single-Leaf Latched / Unlatched	2621 (at 912 wide)	926 (at 2581 high)	2.39
Single-Acting, Double-Leaf Latched / Unlatched	2190 (at 926wide)	994 (at 2040 high)	2.03
Table 4			

Door leaves with Single or Double Rails & Lorient Type 617 Intumescents – 10 mm by 4 mm – Timber / MDF Frames

Door assembly configuration	Maximum Height (mm)	Maximum Width (mm)	Max Area (m²)
Single-Acting, Single-Leaf Latched / Unlatched	2449 (at 926 wide)	1112 (at 2040 high)	2.27
Single-Acting, Double-Leaf Latched / Unlatched	2540 (at 1071 wide)	1176 (at 2313 high)	2.72
Table 5			

'Increased Trim' Door leaves – Timber / MDF Frames

Door assembly configuration	Maximum Height (mm)	Maximum Width (mm)	Max Area (m²)
Single-Acting, Single-Leaf Latched / Unlatched	2040 (at 926 wide)	926 (at 2040 high)	1.89
Table 6			

Door leaves with Double Rails and ISL Intumescents – Mild Steel Frames

Door assembly configuration <u>Double rails to door leaf</u>	Maximum Height (mm)	Maximum Width (mm)	Max Area (m²)
Single-Acting, Single-Leaf Latched Only	2303 (at 838 wide)	972 (at 1985 high)	1.93
Table 7			

Note: Under no circumstances must either the maximum height or maximum width be exceeded without separate CERTIFIRE approval.

Double leaf doorsets may incorporate leaves of unequal width providing the smaller leaf is a Minimum of 40% of the width of the larger leaf.

Both leaves of pairs are to be of identical construction, including No of rails.

Page 4 of 5 Signed
E/128, E495

Issued: 7th October 1997
Revised: 28th July 2023
Valid to: 21st August 2027



CERTIFICATE No CF 160 JELD-WEN UK LIMITED

JELD-WEN UK LIMITED FD30 TIMBER DOOR ASSEMBLIES

9. Labels to the CERTIFIRE design, or approved by CERTIFIRE, referencing CERTIFIRE and CERTIFIRE Ref. No. CF 160 and FD30 classifications resistance shall be affixed to each door in the prescribed position.
10. This approval relates to on-going production. The product and/or its immediate packaging is identified with the manufacturer's name, the product name or number, the CERTIFIRE name or name and mark, together with the CERTIFIRE certificate number and application when appropriate.

Page 5 of 5 Signed
E/128, E495

Issued: 7th October 1997
Revised: 28th July 2023
Valid to: 21st August 2027

CF 160 DATA SHEET

1. General

This approval relates to the use of the above doors with flush faces in providing fire resistance of 30 minutes insulation (if incorporating not more than 20% of uninsulating glass) and 30 minutes integrity as defined in BS 476: Part 22.

This approval also relates to the use of the above doors with moulded faces in providing fire resistance of 30 minutes integrity only as defined in BS 476: Part 22.

Subject to the undermentioned conditions, the doors would be expected to meet the relevant requirements of BS 9999 for FD30 door assemblies when used in accordance with the provisions therein.

In recognition of this, the leaf carries a prefixed label on the top or hanging edge of the door, issued under the terms of the CERTIFIRE scheme. This label uniquely identifies the door leaf, the manufacture of which complies with a CERTIFIRE approved Quality Management System and is subject to on-going surveillance. This label shall not be removed.

It is emphasised that the certification is conditional upon the following instructions being complied with in their entirety. Failure to do so will invalidate this approval and may jeopardise the fire performance of the door. Door assemblies supplied pre-fitted with components by Jeld-Wen UK Limited may be considered to meet the requirements in respect of those items.

2. Door Leaf Dimensions

This approval is applicable to single-action, double-action, single and double-leaf, latched and unlatched, ITT assemblies and single-acting, single-leaf latched and unlatched ITM assemblies at leaf dimensions up to those detailed within Tables 1, 2, 3, 4, 5, 6 & 7 below.

Door leaves with Double Rails and ISL Intumescents – Timber / MDF Frames

Door assembly configuration <u>Double rails to door leaf</u>	Maximum Height (mm)	Maximum Width (mm)	Max Area (m²)
Single-Acting, Single-Leaf Latched / Unlatched	2621 (at 912 wide)	1121 (at 2132 high)	2.39
Single-Acting, Double-Leaf Latched / Unlatched	2469 (at 907 wide)	1043 (at 2148 high)	2.24
Double-Acting, Single-Leaf Latched / Unlatched	2555 (at 912 wide)	1106 (at 2080 high)	2.30
Double-Acting, Double-Leaf Latched / Unlatched	2555 (at 912 wide)	1106 (at 2080 high)	2.30

Table 1

Door leaves with Single Rails and ISL Intumescents – Timber / MDF Frames

Door assembly configuration <u>Single rails to door leaf</u>	Maximum Height (mm)	Maximum Width (mm)	Max Area (m²)
Single-Acting, Double-Leaf Latched / Unlatched	2040 (at 927 wide)	927 (at 2040high)	1.89

Table 2

Under no circumstances must the maximum height, maximum width or maximum area be exceeded without separate CERTIFIRE approval.

Double leaf doorsets may incorporate leaves of unequal width providing the smaller leaf is a minimum of 40% of the width of the larger leaf.

Both leaves of pairs are to be of identical construction, including No of rails.

Door leaves with Single Rails and Pyroplex CF355 Intumescents – Timber / MDF Frames

Door assembly configuration Single rails to door leaf	Maximum Height (mm)	Maximum Width (mm)	Max Area (m²)
Single-Acting, Single-Leaf Latched Only	2536 (at 966 wide)	1173 (at 2087 high)	2.45
Single-Acting, Single-Leaf Latched / Unlatched	2621 (at 912 wide)	926 (at 2581 high)	2.39

Table 3

Door leaves with Double Rails and Pyroplex CF355 Intumescents – Timber / MDF Frames

Door assembly configuration Double rails to door leaf	Maximum Height (mm)	Maximum Width (mm)	Max Area (m²)
Single-Acting, Single-Leaf Latched Only	2536 (at 966 wide)	1173 (at 2087 high)	2.45
Single-Acting, Single-Leaf Latched / Unlatched	2621 (at 912 wide)	926 (at 2581 high)	2.39
Single-Acting, Double-Leaf Latched / Unlatched	2190 (at 926wide)	994 (at 2040 high)	2.03

Table 4

Door leaves with Single or Double Rails & Lorient Type 617 Intumescents – 10 mm by 4 mm – Timber / MDF Frames

Door assembly configuration	Maximum Height (mm)	Maximum Width (mm)	Max Area (m²)
Single-Acting, Single-Leaf Latched / Unlatched	2449 (at 926 wide)	1112 (at 2040 high)	2.27
Single-Acting, Double-Leaf Latched / Unlatched	2540 (at 1071 wide)	1176 (at 2313 high)	2.72

Table 5

'Increased Trim' Door leaves – Timber / MDF Frames

Door assembly configuration	Maximum Height (mm)	Maximum Width (mm)	Max Area (m²)
Single-Acting, Single-Leaf Latched / Unlatched	2040 (at 926 wide)	926 (at 2040 high)	1.89

Table 6

Door leaves with Double Rails and ISL Intumescents – Mild Steel Frames

Door assembly configuration Double rails to door leaf	Maximum Height (mm)	Maximum Width (mm)	Max Area (m²)
Single-Acting, Single-Leaf Latched Only	2303 (at 838 wide)	972 (at 1985 high)	1.93

Table 7

Under no circumstances must the maximum height, maximum width or maximum area be exceeded without separate CERTIFIRE approval.

Double leaf doorsets may incorporate leaves of unequal width providing the smaller leaf is a minimum of 40% of the width of the larger leaf.

Both leaves of pairs are to be of identical construction, including No. rails.

3. Door Frame

To be any of the following:-

Softwood or Hardwood (Exc. Iroko & Geronggang. Ash may be used subject to a minimum density of 650 kg/m ³)	i) Density:	440 kg/m ³ min.
	ii) Specification:	BS EN 942 1996, Clause 5.2 Table 1 (Class J40) or better (for softwood)
	iii) Dimensions:	70 mm by 25 mm min.
	iv) Door Stop:	Min. 12 mm deep by 25 mm wide, pinned, glued, and pinned, screwed, or rebated from solid (min stop density 450 kg/m ³). Pins are to be steel min 40 mm long. Where the stop is rebated from solid the overall frame thickness must be increased by 12 mm to accommodate the 12 mm rebate depth.
Softwood frames can be manufactured from clear engineered laminated softwood with a minimum density of 500 kg/m ³		
MDF	i) Density:	720 kg/m ³ min.
	ii) Dimensions:	77 mm by 25 mm min.
	iii) Door Stop:	Min. 12 mm deep by 25 mm wide, pinned, glued, and pinned, screwed, or rebated from solid (min stop density 450 kg/m ³). Pins are to be steel min 38 mm long. Where the stop is rebated from solid the overall frame thickness must be increased by 12 mm to accommodate the 12 mm rebate depth.
Mild Steel (single-acting, single-leaf Double rail assemblies only)	i) Dimensions	52 mm by 28 mm minimum Frame to include a 19 mm by 3 mm stop Frame to be manufactured from 1.2 mm thick rolled mild steel.
Jointing:	Mortice and tenon or half lapped joints with the head screw fixed to the jambs using two steel screws	
	MDF frames with Half-lapped joints may be mechanically fixed using 3No 50 mm by 1.6 mm by 1.3 mm staples at 12 mm to 22 mm horizontal centres.	
Door to frame gaps:	Not to exceed 4 mm to the perimeter / meeting stiles except at the threshold where up to 10mm is permitted.	

Softwood Tri-laminated & Finger Jointed Frames

Softwood tri-laminated & finger jointed frames may be used, subject to compliance with the following specification:

- Single-acting, single-leaf door assemblies only with maximum overall leaf dimensions 2040 mm high by 926 mm wide.
- The door assemblies may be latched or unlatched, in accordance with the specific CERTIFIRE certificate requirements.

- The once rebated knock down frames will be manufactured from clear engineered softwood of minimum density 500 kg/m³ and shall have a minimum overall section of 66 mm wide by 56 mm thick complete with a 13 mm deep rebate.
- Alternatively, the once rebated knock down frames will be manufactured from clear engineered softwood of minimum density 500 kg/m³ and shall have a minimum overall section of 66 mm wide by 52 mm thick complete with a 20 mm deep rebate.
- The softwood frame material will be finger jointed in length only and include a maximum of 3No laminated elements.
- The finger joints will be orientated to the opening face and closing face of the frame only.
- The frame jambs and head will incorporate a 20 mm wide by 4 mm thick CERTIFIRE approved intumescent seal and a Q-Lon Aquamac 21 seal.

4. Overpanels / Sidepanels

Flush overpanels may be included up to a maximum height of 500 mm and shall include 9 mm thick hardwood lippings (minimum) and opposing lipping to the leaf head.

Timber astragals (min 640kg/m³) are required at the junction between the bottom of the overpanel and the top edge of the doors.

Transomed overpanels, manufactured to the same specification as the door leaves may be included up to 1000 mm high, with a minimum 25 mm thick softwood / hardwood transom rail in accordance with Section 3 of the Data Sheet.

Mullioned sidepanels, manufactured to the same specification as the door leaves, may be included up to 1000 mm wide, with a minimum 25 mm thick softwood / hardwood mullion in accordance with Section 3 of the Data Sheet.

Overpanels shall be fixed using steel screws at a maximum of 400 mm centres and a maximum of 100 mm from each corner, through centre of panel to a depth of at least 30 mm

Intumescent seals as specified in Section 9 shall be fitted centrally to all for edges of the Overpanel / sidepanel or within the reveal of the frame.

5. Glazed Fanlights and Sidelights

Fanlights and Sidelights will comply with the following specification details:

Toplight / Sidelight Framing:	
Manufacturer:	Jeld-Wen UK
Reference:	FD30 Head
Material:	Softwood (solid or clear engineered tri-laminated and finger jointed material)
Density:	500 kg/m ³ minimum
Dimensions:	66 mm wide by 52 mm thick with a 48 mm wide by 20 mm deep rebate or 95 mm wide by 52 mm thick with a 48 mm wide by 20 mm deep rebate
Fixing Method:	Mortice and tenon joint, screwed and glued using 2No 5 mm Ø by 70 mm long hardened single thread woodscrews and HB Fuller Rakol Eco 3 Plus adhesive.

Sidelight Framing – T Section:	
Manufacturer:	Jeld-Wen UK
Reference:	FD30 T Head
Material:	Softwood (solid or clear engineered tri-laminated and finger jointed material)
Density:	500 kg/m ³ minimum
Dimensions:	48 mm wide by 70 mm thick with a 30 mm wide by 20 mm deep rebate or 77 mm wide by 70 mm thick with a 30 mm wide by 20 mm deep rebate.
Fixing Method:	T-Section mulled to door frame and fixed into position using 7No 4.2 mm Ø by 38 mm long woodscrews at 300 mm centres, 100 mm from the corners.
Coupled Sidelight / Toplight Fixings:	
Supplier:	Timber Mate Fastners
Description:	Pozi double CSK head wood screws
Reference:	Woodscrews
Dimensions:	4.2 mm Ø by 50 mm long
Position:	Screwed at 300 mm centres, 100 mm from the corners.
Sidelight Frame - Midrail:	
Manufacturer:	Jeld-Wen UK
Reference:	FD30 Direct Mulled Midrail Sidelight
Material:	Softwood (solid or clear engineered tri-laminated and finger jointed material)
Density:	500 kg/m ³ minimum
Dimensions:	66 mm wide by 150 mm thick with a 48 mm wide by 20 mm deep rebate.
Fixing Method:	Midrail butt jointed to mullion and frame, screwed and glued using 2No 4.2 mm Ø by 70 mm long CSK woodscrews (each side) and HB Fuller Rakol Eco 3 Plus adhesive.

Toplight / Sidelight – Glazing option 1 – Pyroguard T-EI30/16-1 VF - Insulated Glass			
Supplier:	CGI International		
Configuration:	Pyroguard T-EI30/16-1 VF		
Thickness:	19 mm		
Maximum pane dimensions:	Max. Height (mm)	Max. Width (mm)	Max. Area (m²)
Fanlight	515 (at 1977 wide)	2361 (at 432 high)	1.02
Full height sidelight	3033 (at 480 wide)	576 (at 2528 high)	1.46
Door height sidelight	2424 (at 990 wide)	1188 (at 2020 high)	2.40
Nominal edge clearance:	5 mm		
Setting Blocks:			
Supplier:	Ram Extrusions		
Reference:	Blue 60		
Description:	Glazing packers		
Dimensions:	4.8 mm by 100 mm by 15 mm		

Glazing System – Option 1:	
Supplier:	Sealmaster
Description:	Intumescent closed cell Tape – CF5645
Reference:	CFT
Dimensions:	15 mm by 3 mm
Fixing Method:	Self-adhesive, applied to rebate and glazing bead

Toplight / Sidelight – Glazing option 2 – Pyroguard EW30/6 VF RV - Non-insulated Glass			
Supplier:	CGI International		
Configuration:	Pyroguard EW30/6 VF RV		
Thickness:	13 mm		
Maximum pane dimensions:	Max. Height (mm)	Max. Width (mm)	Max. Area (m²)
Fanlight	506 (at 1962 wide)	2345 (at 422 high)	0.99
Full Height Sidelight	3019 (at 470 wide)	564 (at 2516 high)	1.42
Door Height Sidelight	2412 (at 980 wide)	1176 (at 2010 high)	2.36
Nominal edge clearance:	10 mm		
Setting Blocks:			
Supplier:	Ram Extrusions		
Reference:	Blue 60		
Description:	Glazing packers		
Dimensions:	2No 5 mm by 100 mm by 10 mm (to provide 10 mm packer depth)		
Glazing System – Option 2:			
Supplier:	Sealmaster		
Description:	Intumescent Foam Tape - CF5387		
Reference:	GTR		
Dimensions:	20 mm by 5 mm		
Fixing Method:	Self-adhesive, applied to rebate and glazing bead		

Glazing Beads:	
Glazing method:	Externally beaded
Supplier:	Jeld-Wen UK
Reference:	Splayed Flush Bead
Material:	Red Grandis Hardwood
Density:	570 kg/m ³ minimum
Dimensions:	20 mm by 24 mm
Fixing Method:	4 mm Ø by 40 mm long CS security screws, at maximum 150 mm centres, maximum 50 mm in from the corners.

Alternatively, any CERTIFIRE approved glazing systems may be used providing the specification and installation details given in the appropriate certification documents are adhered to.

6. Supporting Construction

The door assemblies are approved to be installed in brick, block, masonry, timber, or steel stud supporting constructions of minimum overall thickness 72 mm, providing at least 30 minutes fire resistance. Where stud partitions are used these should be suitably constructed to provide a secure fixing for the door assemblies as recommended by the partition manufacturer.

Where brick, block, masonry walls are plasterboard faced, the plasterboard adjacent to the door assembly shall be mechanically fixed to ensure that it remains in-situ for the required integrity period.

7. Installation

The opening may be lined with softwood or hardwood which shall be continuous and of minimum width, 70mm. Each door frame jamb to be fixed through to the wall at not less than three points with steel or nylon fixings at maximum 600 mm centres penetrating the wall to at least 50 mm. Architraves are optional with no restrictions on material, size or fixing.

Door assemblies shall be installed as stated in BS 8214, Table 2. Suitable CERTIFIRE approved lineal gap sealing systems may also be utilised to protect the frame/supporting construction gap, subject to the conditions contained within the relevant certificate.

Additionally, Fire and Acoustic Seals, Fire Door Foam (FD60) sealant may be used to the rear of frame installations for gaps up to 10 mm – to the full depth of the gap. This option may be utilised in conjunction with plastic packers.

The use of third party accredited installers provides a means of ensuring that installations have been conducted by knowledgeable contractors, to appropriate standards, thereby increasing the reliability of the anticipated performance in fire.

Door leaves may be trimmed to fit the frame by the following maximum amounts:

- Stiles (each): 4 mm
- Bottom: 6 mm

Further to the above trimming allowances, door leaves identified / labelled as 'Increased Trim' doors may be trimmed by the following amounts:

- Stiles (each): 40 mm
- Top & Bottom: 40 mm

Note that the maximum door to frame and door to threshold gaps specified shall not be exceeded, nor shall the door edge fitted with the CERTIFIRE label be trimmed since removal of the label will invalidate the certification.

The labelled edge may be subjected to minor 'shooting-in', providing the label is not damaged or removed in the process, and the amount of material removed does not exceed that stated previously.

8. Glazed Apertures

All apertures to be factory prepared by Jeld-Wen UK Limited, or a CERTIFIRE approved Licensed Door Processor. No site cutting of apertures permitted as this will invalidate the certification.

Additionally, the leaf / leaves may incorporate CERTIFIRE approved glass / glazing systems subject to the conditions contained within the relevant CERTIFIRE certificate (e.g., maximum size associated with glass or system, edge cover, intumescent aperture lining requirements, etc.) and the maximum pane dimensions given below (whichever is smaller).

When utilising alternative CERTIFIRE approved glazing systems that require a hardwood liner, the liner density requirements of the door and glazing system shall be considered, and whichever is the greater of the two shall be utilised.

Dimensions: Doors may incorporate one or more vision panels to the maximum sizes identified in the table below:

Area: Maximum total glazed area of 1.2 m² per leaf

Sizes: For maximum glazing heights and widths refer to glazing tables below.

Height / Width: Maximum height and width as stated in the table below:

Maximum Permitted Aperture Dimensions		
Max. Height (mm)	Max. Width (mm)	Max. Area (m ²)
1855 (at 647 wide)	745 (at 1611 high)	1.2
2125 (at 375 wide)	375 (at 2125 high)	0.8

Margins: 100 mm from the perimeter edge
100 mm between apertures – including liner where liner is glued and pinned
112 mm between apertures – including liner where liner is pinned only

Aperture lining: Rectilinear apertures only will include a lining 6 mm thick by 42 mm wide of hardwood with a minimum density of 470 kg/m³, excluding Iroko / Geronggang / Ash (unless stated otherwise in the glazing tables below).

The lining shall be glued and/or pinned to the flaxboard core using PVA / 38 mm long pins at 250 mm nominal centres.

Blocking: Circular apertures only will include 38 mm by 38 mm softwood blocking of any species with a min. density of 360 kg/m³.

Bead joints: Mitre joints to rectilinear glazing beads may include a gap of up to 1 mm where Intumescent type glazing systems are utilised. Mitre joints to glazing beads must be tight, where non-intumescent type glazing systems are utilised.

Hardwood or non-combustible setting blocks will be used to establish the correct edge cover.

Non-Insulating glasses: Rectilinear apertures

Glass Type	Intumescent System	Bead dimensions (mm)	Bead Density	Fixings	Max. Height (mm)	Max. Width (mm)	Max. Area (m ²)
Pyroshield 2	Lorient Flexible Figure 1 Or Sealmaster Therm-A-Strip, 10 x 2 mm	23 mm high by min 23.5 mm wide (including a 7 mm by 10 mm bolection) Bead to include a min 5° - max 10° splay 13 mm +2/-1 mm edge cover	Hardwood min. 490 kg/m ³	1.6 by 38 mm long pins or No.6 x 38 mm long screws at max 150 mm centres, max. 50 mm in from corners. Fixings angled at 20°. Min 2No fixings per bead length	1707 (at 702 wide)	702 (at 1707 high)	1.2 m ²
					Aperture references		
					G01, G05, G06, G07, G08, G09, G10, G11 & G12		

Non-Insulating glasses: Rectilinear apertures - continued

Glass Type	Intumescent System	Bead dimensions (mm)	Bead Density	Fixings	Max. Height (mm)	Max. Width (mm)	Max. Area (m ²)
Pyran S	Sealmaster Therm-A-Strip, 10 x 2 mm Or Sealmaster Fireglaze mastic (min 2 mm thick) Or Sealmaster intumescent compound (min 2 mm thick)	23 mm high by min 23.5 mm wide (including a 7 mm by 10 mm bolection) Bead to include a min 5° - max 10° splay 13 mm +2/-1 mm edge cover	Hardwood min. 490 kg/m ³	1.6 by 38 mm long pins or No.6 x 38 mm long screws at max 150 mm centres, max. 50 mm in from corners. Fixings angled at 20°. Min 2No fixings per bead length	1700 (at 290 wide)	700 (at 700 high)	0.5 m ²
					Aperture references		
					G01, G06, G07, G10, G11 & G12		
Pyrogard EW 30	Sealmaster Therm-A-Strip, 10 x 2 mm	22 mm high by min 25 mm wide (including a 5 mm bolection) Bead can be square or splayed up to max 20° splay 13 mm +2/-1 mm edge cover	MDF min. 720 kg/m ³	1.6 by 38 mm long pins or No.6 x 38 mm long screws at max 150 mm centres, max. 50 mm in from corners. Fixings angled at 20°. Min 2No fixings per bead length	2125 (at 375 wide)	375 (at 2125 high)	0.8 m ²
					Aperture references		
					G05, G06, G07, G11 & G12		
Pyroshield 2	Sealmaster Therm-A-Strip, 10 x 2 mm	22 mm high by min 25 mm wide (including a 5 mm bolection) Bead can be square or splayed up to max 20° splay 13 mm +2/-1 mm edge cover	MDF min. 720 kg/m ³	1.6 by 38 mm long pins or No.6 x 38 mm long screws at max 150 mm centres, max. 50 mm in from corners. Fixings angled at 20°. Min 2No fixings per bead length	900 (at 600 wide)	735 (at 735 high)	0.54 m ²
					Aperture references		
					G01, G05 & G08		
Pyran S	Sealmaster Therm-A-Strip, 10 x 2 mm	22 mm high by min 25 mm wide (including a 5 mm bolection) Bead can be square or splayed up to max 20° splay 13 mm +2/-1 mm edge cover	MDF min. 720 kg/m ³	1.6 by 38 mm long pins or No.6 x 38 mm long screws at max 150 mm centres, max. 50 mm in from corners. Fixings angled at 20°.	1855 (at 647 wide)	745 (at 1611 high)	1.2 m ²
					Aperture references		
					G01, G05, G06, G07, G09, G10, G11 & G12		
Pyrobelite EW7	Sealmaster Therm-A-Strip, 10 x 2 mm	22 mm high by min 25 mm wide (including a 5 mm bolection) Bead can be square or splayed up to max 20° splay 13 mm +2/-1 mm edge cover	MDF min. 720 kg/m ³	Min 2No fixings per bead length	1085 (at 737 wide)	700 (at 1143 high)	0.8 m ²
					Aperture references		
					G01, G05, G10 & G12		
Pyroswiss	Sealmaster Therm-A-Strip, 10 x 2 mm	22 mm high by min 25 mm wide (including a 5 mm bolection) Bead can be square or splayed up to max 20° splay 13 mm +2/-1 mm edge cover	MDF min. 720 kg/m ³	1.6 by 38 mm long pins or No.6 x 38 mm long screws at max 150 mm centres, max. 50 mm in from corners. Fixings angled at 20°.	926 (at 248 wide)	248 (at 926 high)	0.23 m ²
					Aperture references		
					G05 & G12		

Non-Insulating glasses: Circular apertures

Glass Type	Intumescent System	Aperture lining	Bead dimensions (mm)	Bead Density	Fixings	Max. Dia. (mm)	Max. Area (m ²)
Pyroshield 2, Pyran S, CGI Cross-mesh glass & Pyroguard EW 30	Sealmaster Therm-A-Strip, 10 x 2 mm with Sealmaster Fireglaze mastic between the glass and the beads (min 2 mm thick)	Softwood blocking or 6 mm thick laminated hardwood	20 mm high by min 22 mm wide (Inc. a 5 mm x 5 mm bolection) Bead to include a min 15° splay 13 mm +2/-1 mm edge cover Beads are formed from butt jointed timber sections, glued before machining	Hardwood min. 490 kg/m ³	1.6 by 38 mm long pins or No.6 x 38 mm long screws at max 150 mm centres, max. 50 mm in from corners. Fixings angled at 20°.	510	0.2 m ²

Non-Insulating glass: Rectilinear– Sealmaster Intumescent Foam glazing tape – Meranti Beads

Glass Type	Intumescent System	Bead dimensions (mm)	Bead Density	Fixings	Max. Height (mm)	Max. Width (mm)	Max. Area (m ²)			
7 mm Pyroshield 2	Sealmaster Intumescent Foam Glazing Tape	24.5 mm high by min 21.5 mm wide (including a 6 mm by 9.5 mm bolection)	Meranti Hardwood min. 480kg/m ³ (Figure 1)	1.6 by 40 mm long pins No.6 x 40 mm long screws at max 150 mm centres, max. 50 mm in from corners. Fixings angled at 45° to the vertical.	1700 (at 457 wide)	604 (at 1291 high)	0.78 m ²			
	Aperture lining	Bead to include an 18° splay						Aperture references		
	6 mm min hardwood liner min 550 kg/m ³	12 mm +2/-1 mm edge cover						G01, G05, G06, G07, G08, G09, G10, G11 & G12		
6 mm Pyroclear	Sealmaster Intumescent Foam Glazing Tape	24.5 mm high by min 21.5 mm wide (including a 6 mm by 9.5 mm bolection)	Meranti Hardwood min. 480kg/m ³ (Figure 1)	1.6 by 40 mm long pins No.6 x 40 mm long screws at max 150 mm centres, max. 50 mm in from corners. Fixings angled at 45° to the vertical.	1700 (at 457 wide)	604 (at 1291 high)	0.78 m ²			
	Aperture lining	Bead to include an 18° splay						Aperture references		
	6 mm min hardwood liner min 550 kg/m ³	12 mm +2/-1 mm edge cover						G01, G05, G06, G09, G10, G11 & G12		
7 mm Pyrodur Plus	Sealmaster Intumescent Foam Glazing Tape	24.5 mm high by min 21.5 mm wide (including a 6 mm by 9.5 mm bolection)	Meranti Hardwood min. 480kg/m ³ (Figure 1)	1.6 by 40 mm long pins No.6 x 40 mm long screws at max 150 mm centres, max. 50 mm in from corners. Fixings angled at 45° to the vertical.	225 (at 225 wide)	225 (at 225 high)	0.05 m ²			
	Aperture lining	Bead to include an 18° splay						Aperture references		
	6 mm min hardwood liner min 550 kg/m ³	12 mm +2/-1 mm edge cover						G07 & G08		

Figure 1 – Meranti Bead

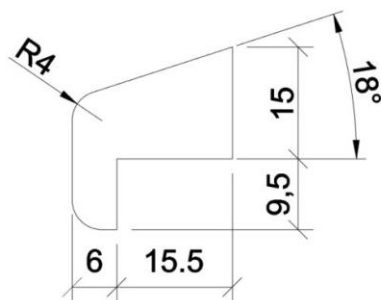


Figure 2 – MDF Bead – Option 1

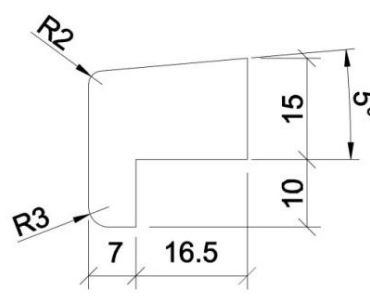


Figure 3 – MDF Bead – Option 2

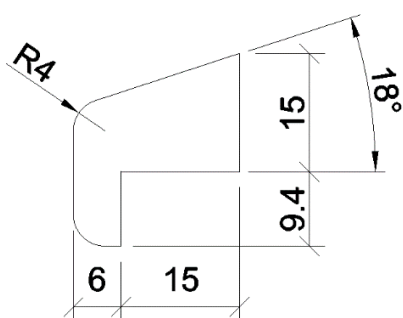
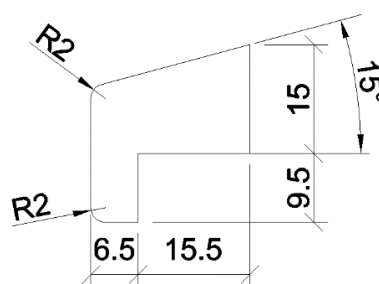


Figure 4 – MDF Bead – Option 3



Non-Insulating glass: Rectilinear– Sealmaster Intumescent Foam glazing tape – MDF Beads

Glass Type	Intumescent System	Bead dimensions (mm)	Bead Density	Fixings	Max. Height (mm)	Max. Width (mm)	Max. Area (m ²)			
7 mm Pyroshield 2	Sealmaster Intumescent Foam Glazing Tape	25 mm high by min 23.5 mm wide (including a 7 mm by	MDF min. 595 kg/m ³	1.6 by 40 mm long pins No.6 x 40 mm long screws at max 150 mm centres, max. 50 mm in from corners. Fixings angled at 45° to the vertical.	1700 (at 457 wide)	604 (at 1291 high)	0.78 m ²			
	Aperture lining	10 mm bolection) Bead to include a 5° splay	(Figure 2, Figure 3, or Figure 4)					Aperture references		
	6 mm min hardwood liner min 470 kg/m ³	12 mm +2/-1 mm edge cover						G01, G05, G06, G07, G08, G09, G10, G11 & G12		
6 mm Pyroclear	Sealmaster Intumescent Foam Glazing Tape	25 mm high by min 23.5 mm wide (including a 7 mm by	MDF min. 595 kg/m ³	1.6 by 40 mm long pins No.6 x 40 mm long screws at max 150 mm centres, max. 50 mm in from corners. Fixings angled at 45° to the vertical.	1700 (at 457 wide)	604 (at 1291 high)	0.78 m ²			
	Aperture lining	10 mm bolection) Bead to include a 5° splay	(Figure 2, Figure 3, or Figure 4)					Aperture references		
	6 mm min hardwood liner min 470 kg/m ³	12 mm +2/-1 mm edge cover						G01, G05, G06, G09, G10, G11 & G12		
7 mm Pyrodur Plus	Sealmaster Intumescent Foam Glazing Tape	25 mm high by min 23.5 mm wide (including a 7 mm by	MDF min. 595 kg/m ³	1.6 by 40 mm long pins No.6 x 40 mm long screws at max 150 mm centres, max. 50 mm in from corners. Fixings angled at 45° to the vertical.	225 (at 225 wide)	225 (at 225 high)	0.05 m ²			
	Aperture lining	10 mm bolection) Bead to include a 5° splay	(Figure 2, Figure 3, or Figure 4)					Aperture references		
	6 mm min hardwood liner min 470 kg/m ³	12 mm +2/-1 mm edge cover						G07 & G08		

Non-Insulating glass: 7mm Pyroshield 2, 7mm Pyrostem & Low Density MDF Beads

Glass Type	Intumescent System	Bead dimensions (mm)	Bead Density	Fixings	Max. Height (mm)	Max. Width (mm)	Max. Area (m ²)			
7 mm Pyroshield 2 or 7 mm Pyrostem	Intumescent Seals Ltd Therm-A-Strip, 10 x 2 mm	22 mm high by min 25 mm wide (including a 5 mm bolection)	MDF min. 595 kg/m ³	1.6 by 38 mm long pins No.6 x 38 mm long screws at max 150 mm centres, max. 50 mm in from corners. Fixings angled at 20° to the vertical. Min 2no fixings per bead length	930 (at 604 wide)	735 (at 735 high)	0.56 m ²			
	Aperture lining	Bead to include a max 10° splay						Aperture references		
	6 mm min hardwood liner min 550 kg/m ³	13 mm +2/-1 mm edge cover						G01, G05, G08, G10 & G12		

Non-Insulating glass: 6mm Pyroswiss & MDF Beads

Glass Type	Intumescent System	Bead dimensions (mm)	Bead Density	Fixings	Max. Height (mm)	Max. Width (mm)	Max. Area (m ²)
6 mm Pyroswiss	Intumescent Seals Ltd Therm-A-Strip, 10 x 2 mm	25 mm high by min 23.5 mm wide (including a 10 mm high by 7 mm wide bolection)	MDF min. 720 kg/m ³	1.6 by 40 mm long pins No.6 x 38 mm long screws at max 150 mm centres, max. 50 mm in from corners. Fixings angled at 45° to the vertical. Min 2no fixings per bead length	1152 (at 712 wide)	873 (at 939 high)	0.82 m ²
	Aperture lining	Bead to include a 5° splay 13 mm +/-1 mm edge cover					
	6 mm min hardwood liner min 550 kg/m ³				Aperture references		G01, G05, G08, G10 & G12

Hardwood lay-bars, surface mounted to the face of the glass may be included at maximum spacing of 250 mm in line with the following specification:

Glazing bars:	Material:	Hardwood
	Density:	350 kg/m ³
	Dimensions:	22 mm high chamfered on the upper and lower edges at 15°
	Fixing:	Glued and stapled
	Intumescent protection:	22 mm by 2 mm FGL30 material

PVCu, MDF or timber frets may be adhered to the face of the glass via either double-sided self-adhesive tape or hot melt glue.

9. Intumescent Seals

CERTIFIRE certificated intumescent seals are required to be fitted to these doors as below.

For door assemblies to BS476: Part 22 – classified as FD30

Door leaves with Double Rails and ISL Intumescents* - Timber / MDF Frames

Door assembly Configuration*	Position	Required Intumescent Protection
Single-acting, Single-leaf door assemblies latched / unlatched	Head	Single 10 mm wide by 4 mm thick ISL Therm-A-Seal to the centre of the frame reveal or the centre of the door leaf edge
	Vertical edges	Single 10 mm wide by 4 mm thick ISL Therm-A-Seal to the centre of the frame reveal or the centre of the door leaf edge
Single-acting, double-leaf door assemblies latched / unlatched	Head	Single 20 mm by 4 mm thick ISL Therm-A-Seal to the centre of the frame reveal or the centre of the door leaf edge Or 2No opposing 10 mm by 4 mm thick ISL Therm-A-Seal strips central in the frame reveal and door leaf edge.
	Hanging edges	Single 10 mm wide by 4 mm thick ISL Therm-A-Seal to the centre of the frame reveal or the centre of the door leaf edge
	Meeting edges (square / radiused)	Single 20 mm by 4 mm thick ISL Therm-A-Seal to the centre of the door leaf edge Or 2No opposing 10 mm wide by 4 mm thick ISL Therm-A-Seal (offset by 2-3 mm).
	Meeting edges (rebated)	2No 10 mm wide by 4 mm ISL Therm-A-Seal strips spaced 2-3 mm from the stop, one on each leaf.
Double-acting, Single-leaf door assemblies latched / unlatched	Head	Single 10 mm wide by 4 mm thick ISL Therm-A-Seal to the centre of the frame reveal or the centre of the door leaf edge
	Vertical edges	Single 10 mm wide by 4 mm thick ISL Therm-A-Seal to the centre of the frame reveal or the centre of the door leaf edge

*See Table 1 for size restrictions

Door leaves with Single Rails and ISL / Pyroplex Intumescents* - Timber / MDF Frames

Door assembly Configuration*	Position	Required Intumescent Protection
Single-acting, double-leaf door assemblies latched / unlatched	Head	Single 20 mm by 4 mm thick ISL Therm-A-Seal to the centre of the frame reveal or the centre of the door leaf edge
	Hanging edges	Single 10 mm wide by 4 mm thick ISL Therm-A-Seal to the centre of the frame reveal or the centre of the door leaf edge
	Meeting edges (square / radiused)	Single 20 mm by 4 mm thick ISL Therm-A-Seal to the centre of the door leaf edge or 2No opposing 10 mm wide by 4 mm thick ISL Therm-A-Seal (offset by 2-3 mm).
	Meeting edges (rebated)	2No 15 mm wide by 4 mm Pyroplex (CF355) to the rebate of both door leaves.

*See Table 2 for size restrictions

Door leaves with Single Rails and Pyroplex CF355 Intumescents* - Timber / MDF Frames

Door assembly Configuration*	Position	Required Intumescent Protection
Single-acting, Single-leaf door assemblies latched / unlatched	Head	Single 15 mm wide by 4 mm thick Pyroplex (CF355) intumescent to the centre of the frame reveal or the centre of the door leaf edge
	Vertical edges	Single 15 mm wide by 4 mm thick Pyroplex (CF355) intumescent to the centre of the frame reveal or the centre of the door leaf edge

*See Table 3 for size restrictions

Door leaves with Double Rails and Pyroplex CF355 Intumescents* - Timber / MDF Frames

Door assembly Configuration*	Position	Required Intumescent Protection
Single-acting, Single-leaf door assemblies latched / unlatched	Head	Single 15 mm wide by 4 mm thick Pyroplex (CF355) intumescent to the centre of the frame reveal or the centre of the door leaf edge
	Vertical edges	Single 15 mm wide by 4 mm thick Pyroplex (CF355) intumescent to the centre of the frame reveal or the centre of the door leaf edge
Single-acting, double-leaf door assemblies latched / unlatched	Head	Single 15 mm wide by 4 mm thick Pyroplex (CF355) intumescent to the centre of the frame reveal or the centre of the door leaf edge
	Hanging edges	Single 15 mm wide by 4 mm thick Pyroplex (CF355) intumescent to the centre of the frame reveal or the centre of the door leaf edge
	Meeting edges (square only)	2No. 10 mm wide by 4 mm thick Pyroplex (CF355) intumescents positioned centrally within the meeting edge of the primary leaf, positioned 8 mm apart.

*See Table 4 for size restrictions

Door leaves with Single or Double Rails and Lorient 10 mm by 4 mm Type 617 Intumescents*
- Timber / MDF Frames

Door assembly Configuration*	Position	Required Intumescent Protection
Single-acting, Single-leaf door assemblies latched / unlatched	Head	1 No. 10 mm wide by 4 mm thick Lorient, Type 617 intumescent fitted within the reveal to the frame head, offset 19 mm from opening face of the frame.
	Vertical edges	1 No. 10 mm wide by 4 mm thick Lorient, Type 617 intumescent fitted within the reveal to the frame head, offset 19 mm from opening face of the frame.
Single-acting, double-leaf door assemblies latched / unlatched	Frame head	1 No. 10 mm wide by 4 mm thick Lorient, Type 617 intumescent fitted within the reveal to the frame head, offset 19 mm from opening face of the frame.
	Top edge of Active leaf	1 No. 10 mm wide by 4 mm thick Lorient, Type 617 intumescent fitted to the top edge of the leaf, offset 9 mm from the closing face.
	Top edge of Passive leaf	1 No. 10 mm wide by 4 mm thick Lorient, Type 617 intumescent fitted to the top edge of the leaf, offset 9 mm from the opening face.
	Frame jambs	1 No. 10 mm wide by 4 mm thick Lorient, Type 617 intumescent fitted within the reveal to the frame jambs, offset 19 mm from opening face of the frame.
	Meeting edge of Active leaf (square only)	1 No. 10 mm wide by 4 mm thick Lorient, Type 617 intumescents fitted to the meeting edge of the active leaf, offset 9 mm from the closing face.
	Meeting edge of Passive leaf (square only)	1 No. 10 mm wide by 4 mm thick Lorient, Type 617 intumescents fitted to the meeting edge of the passive leaf, offset 9 mm from the opening face.

*See Table 5 for size restrictions

'Increased Trim' Door leaves* - Timber / MDF Frames

Door assembly Configuration*	Option	Position	Required Intumescent Protection
Single-acting, Single-leaf door assemblies latched / unlatched	Option 1	Head	Single 15 mm wide by 4 mm thick Pyroplex (CF355) intumescent to the centre of the frame reveal or the centre of the door leaf edge
		Vertical edges	Single 15 mm wide by 4 mm thick Pyroplex (CF355) intumescent to the centre of the frame reveal or the centre of the door leaf edge
	Option 2	Head	1 No. 10 mm wide by 4 mm thick Lorient, Type 617 intumescent fitted within the reveal to the frame head, offset 19 mm from opening face of the frame.
		Vertical edges	1 No. 10 mm wide by 4 mm thick Lorient, Type 617 intumescent fitted within the reveal to the frame head, offset 19 mm from opening face of the frame.

*See Table 6 for size restrictions – The use of alternative intumescent types is not permitted.

Door leaves with Double Rails and ISL Intumescents* - Steel Frames

Door assembly Configuration*	Frame material	Position	Required Intumescent Protection
Single-acting, Single-leaf door assemblies latched / unlatched	Steel	Head	Single 25 mm wide by 4 mm thick ISL Therm-A-Seal to the centre of door leaf edge
		Vertical edges	Single 25 mm wide by 4 mm thick ISL Therm-A-Seal to the centre of door leaf edge

*See Table 7 for size restrictions

Seals may be interrupted at hinge and latch positions.

Latched or unlatched, single acting, single-leaves with maximum leaf dimensions 2040 mm high by 926 mm wide and of a minimum thickness of 43 mm may utilise alternative Intumescents in-line with the relevant CERTIFIRE approval for the proposed intumescent seal. All seals to be CERTIFIRE approved to Technical Schedule 35.

All other door assembly configurations should include the specific intumescent size type and location as specified within the tables above.

Smoke seals may be included subject to the conditions contained within the relevant CERTIFIRE certificate for the smoke seal.

Single-acting, single-leaf and double-leaf 'hatch' doors (of leaf dimensions up to 1300 mm high by 1000 mm wide) are to include a single 10 mm wide by 4 mm thick Therm-a-Seal in the centre of the door leaf at the threshold.

10. Hinges

Hinges shall be CE marked against EN 1935 for use on 30 minute timber fire door assemblies.

Number:	Minimum 3 No (doors up to 2400 mm high) Minimum 4 No (doors larger than 2400 mm high).	
Type:	Steel lift off or butt hinges.	
Positions:*	Top hinge:	Max 300 mm from the top of the door
	Bottom hinge:	Max 300 mm from the bottom of the door
	Third hinge:	<ul style="list-style-type: none"> • Positioned centrally between the top & bottom hinge (± 20 mm). • Positioned max 200 mm below the top hinge.
Dimensions:	Height:	100 mm +/-20%
	Blade width:	26 - 36 mm
	Thickness:	3 mm (+/- 0.5 mm)
	Knuckle dia.:	13 mm (+/- 1 mm)
Fixings:	Minimum 4No. steel screws, No.8 by 25 mm long.	
Intumescent Protection**	None required	
	Option to include 1 mm thick Interdens intumescent sheet material under hinge blades permitted.	

Or

Number:	Minimum 3 No.	
Type:	Steel butt hinges.	
Positions:*	Top hinge:	Max 300 mm from the top of the door
	Bottom hinge:	Max 300 mm from the bottom of the door
	Third hinge:	<ul style="list-style-type: none"> • Positioned centrally between the top & bottom hinge (± 20 mm). • Positioned max 300 mm below the top hinge.
Dimensions:	Height:	100 mm +/-20%
	Blade width:	25 mm + 3 / - 0 mm
	Thickness:	2 mm (+ 0.5 / - 0 mm)
	Knuckle dia.:	10 mm (+ 1 / - 0 mm)
Fixings:	Frame Fixings	Minimum 4No. steel screws, 3 or 4 mm diameter by 19 mm long.
	Door Fixings:	Minimum 4No. steel screws, 3 or 4 mm diameter by 32 mm long.
Intumescent Protection**	None required.	
	Option to include 1 mm thick Interdens intumescent sheet material under hinge blades permitted.	

* The datum in all cases is the centreline of the hinge.

** The hinge specification above overrides any requirement for additional intumescent identified in the hinge manufacturer's certification providing the hinge specification falls within the parameters identified in the table above, specifically maximum dimensions and material.

Any other CERTIFIRE approved hinge may be fitted, providing the hinge dimension are no greater than 10% in blade width and 25% in blade height from that approved in the table above (excluding the tolerances stated). Where the Certifire approved hinge exceeds the specification given in the table above, the minimum requirement for intumescent protection to the hinges, by-passing perimeter intumescent, and the material density and thickness for the door and frame elements given in the hinge manufacture's CERTIFIRE certificate shall apply.

Specific hinges referenced 61029BB may be used with each blade bedded on 1 mm thick Mono-ammonium phosphate (Interdens) material.

11. Locks and Latches

Locks / latches are not necessary. When fitted locks / latches shall be CE Marked for use on 30 minute timber fire doors.

Mortice type, automatic (sprung) latch bolt, and/or deadlock.

Max. case dimension:	120 mm high by 19 mm wide
Max. forend dimension:	165 mm high by 26 mm wide
Max. keep dimension:	165 mm high by 25 mm wide (excluding latch plate)
Latchbolt material:	Steel or material with a melting point greater than 850°C
Position:	Max. 1100 mm from bottom of door to centreline of lockcase
Intumescent: protection*	None Required
	Option to include 1 mm thick Interdens intumescent sheet material to the case, and under the keep and forend permitted.

Or

Max. case dimension:	165 mm high by 86 mm deep by 19 mm wide	
Max. forend dimension:	235 mm high by 22 mm wide	
Max. keep dimension:	180 mm high by 40 mm wide (including a 135 mm by 15 mm latch plate lip)	
Latchbolt material:	Steel or material with a melting point \geq to 850°C	
Position:	Max. 1100 mm from bottom of door to centreline of lockcase	
Cylinders:	Euro profile Single cylinder, double cylinder or cylinder / thumbturns shall be suitable for use on FD30 fire resistant assemblies in accordance with BS EN 1303.	
Intumescent: protection*	Unlipped doors:	Latch case, forend and keep to be bedded onto 1 mm thick Interdens intumescent sheet material. Additional 1 mm thick Interdens intumescent sheet material is required to the bottom of the lock / latch bolt recesses.
	Doors with lipped vertical edge:	Latch case, forend and keep to be bedded onto 1 mm thick Interdens intumescent sheet material.

* The lock specification above overrides any requirement for additional intumescent identified in the lock manufacturer's certification providing the lock/latch specification falls within the parameters identified in the table above, specifically maximum dimensions and material.

Any other CERTIFIRE approved lock/latch may be fitted, providing no lock/strikeplate dimension is more than 25% of that approved in the table above and subject to the conditions contained within the relevant certificate. Where the Certifire approved lock/latch exceeds the specification given in the table above, the minimum requirement for intumescent protection to the locks, latches and strikeplates, by-passing perimeter intumescent, and the material density and thickness for the door and frame elements given in the lock/latch manufacture's CERTIFIRE certificate shall apply.

The following points relate to all locks & latches discussed within this Data Sheet:

- Recessing for locks shall result in a tight fit, allowing for the intumescent protection specified.
- No restriction on type and material of face fixed mechanical lever handles and knobs providing these are wholly surface mounted (with the exception of the spindle and fixing holes)
- The spindle hole shall be a maximum of 16 mm in diameter, where the lock case is not protected by Intumescent sheet material. In this instance lever handles may be steel, brass, zinc or aluminium and may be screw or bolt through fixed with steel fixings.
- The spindle hole may be increased to a maximum of 20 mm in diameter where the lock case is not protected with intumescent sheet material, subject to the use of wholly steel or wholly brass lever handles, in conjunction with steel bolt through fixings only.
- The spindle hole may be further increased to a maximum of 22 mm in diameter where the lock case is protected with 1 mm thick Interdens intumescent sheet material in accordance with the specifications provided in the tables above.
- The Euro profile cylinder recess in the door face shall follow the shape of the cylinder and result in a tight fit.
- The use of oval profile cylinders is not permitted.
- Single cylinder recesses shall penetrate through only half the thickness of the door leaf.

Specific locksets referenced below may be used and shall be bedded onto ISL Therm-A-Flex intumescent sheet material (these latches may only be used on door leaves approved for unlatched configurations and sizes):

Samuel Heath 'Trip Catch'
Royde & Tucker 'Hush Latch'

- The following items of exit hardware are specifically assessed for use on these doorsets:

1413E/KE
1438E
376E
377E
378E

- The following cylinders and door furniture are specifically assessed for use on these doorsets:

Cylinders	801
	802
	803
Door Furniture	57.5000
	5402
	5404/5

Note rebate conversion kit bedded onto intumescent mastic may be used on rebated double-leaf doorsets. Maximum case dimensions of 57 mm high by 78 mm wide by 25 mm thick.

- Specific locksets referenced below may be used and shall be bedded onto 1 mm thick Mono-ammonium phosphate (Interdens) material:

5410.60
5420.60
5430.60
5440.60
3722
Chubb 3R55
Chubb 3G110
Lockey No. 2430

- The Abloy '4238 Roller Catch' is specifically assessed for use on these doorsets.

Salto Locks

Salto lock cases complete with card readers in accordance with CF5596 may be fitted in accordance with the following specification requirements:

- Max case: 165 mm by 100 mm by 15 mm
- Max strike: 170 mm long by 24 mm wide (excluding lip)
- Max forend: 235 mm by 24 mm
- Min door thickness of 44 mm
- Doors to be lipped to vertical edges with hardwood with a minimum density of 650kg/m³.
- Recess for lock and card reader to be fully lined with 1 mm thick Interdens intumescent sheet material
- Forend and strike to be bedded on 1 mm thick Interdens intumescent sheet material
- Locks are to be fitted no higher than 1100mm from the spindle to the finished floor level.

12. Self-Closing Devices

All doors are required to be fitted with a CERTIFIRE certificated self-closing device. The exceptions are doors kept locked shut such as service access doors. Note: closers with mechanical hold-open mechanisms are not permitted to be used. Building Regulations may identify locations within domestic locations where self-closing devices are not mandatory.

The closers shall have a power rating appropriate to the leaf sizes, subject to the closer having the ability to close the door from any angle and against any latch and/ or seals fitted. The closer shall have the ability to provide a minimum size 3 closing force. Where doors are unlatched a minimum size 3 shall be maintained.

Closers shall be CE Marked against EN 1154 and categorised as grade 1 – suitable for use on fire / smoke door assemblies.

12a. Surface Mounted Overhead Closers

Any CERTIFIRE approved surface mounted overhead closer may be fitted, subject to the conditions contained within the relevant certificate.

The Briton '2003' surface mounted overhead door closer is specifically assessed for use on these doorsets.

12b. Transom Mounted and Concealed Overhead Closers

Not permitted

12c. Floor Spring Closers

All double-acting doorsets shall be fitted onto floor springs and associated accessories which are covered by a CERTIFIRE certificate. This is not essential for fire performance if the doorset incorporates a latch and the leaf is in the closed and fully latched position. A self-closing device is however required to be fitted to satisfy fire regulations. **Note: closers with mechanical hold-open mechanisms are not permitted to be used.**

12d. Jamb Mounted Door Springs

Jamb mounted door springs referenced 'Perko R1/R2' and 'Perkomatic R85' may be used in accordance with the guidance stated within Approved Document B as follows:

- May be used on doors within a dwellinghouse, excluding doors between a dwellinghouse and an integral garage.
- May be used on doors within flats, excluding flat entrance doors.
- May be used on doors to cupboards and service ducts which are normally kept locked.
- All other fire doors should be fitted with a self-closing device as previously stated.
- Furthermore, the use of jamb mounted door springs is limited to latched, single-acting, single-leaf door assemblies for internal use only.

The use of Perko R1/R2 and Perkomatic R85 jamb mounted door springs is permitted on the basis that, when the door is latched shut, it will not detract from the fire performance of the door assembly in the event of a fire. The door springs are NOT CERTIFIRE approved, and no claims are made or should be implied or inferred on the ability of the device to close and latch the door or in respect of its mechanical performance or durability.

13. Ancillary items

Please note that hardware items other than those discussed within this certificate of approval are not permitted.

13a. Protection plates and signage

Surface mounted plastic, steel, aluminium, or brass plates are acceptable on the basis they are:

- < 2mm thick
- Do not occupy more than 20% of the door leaf in total or exceed 500mm in height for kickplates and 300mm for mid-plates, whichever is the smaller.
- Do not wrap around the vertical edges, and on the closing face do not extend beneath the door stops (generally 40-50mm narrower than door width)
- Plates/signage can be bonded with a thermally softening adhesive. Additionally, screws may be used.

13b. Pull Handles

Screw-fixed, bolt-fixed from the back and back-to-back fixed pull handles of steel, brass, aluminium and nylon coated are permitted providing any through-bolt fixings are of steel and maximum bolt to bolt centres do not exceed 1000 mm.

A maximum 15 mm diameter recess is permitted for through bolt fixings.

Bolt through fixings will require intumescent protection in the form of a 1 mm thick graphite tube, or Intumescent mastic to the full depth of the recess.

13c. Flushbolts

Doorsets may incorporate flushbolts in accordance with the following specification requirements:

Option A	
Max. flushbolt dimension:	202.5 mm high x 37.5 mm deep x 19 mm wide
Max. keep dimension:	27 mm wide by 16 mm deep by 1 mm thick
Material:	Steel
Position:	Top and bottom on door edge or face (positioned a minimum of 50 mm from leading edge of the door to the centre of the bolt)
Intumescent: protection:	Flushbolts are to be fully wrapped in 1 mm Interdens intumescent material.
Configuration:	The primary leaf may be latched or unlatched.
	Flushbolts may be engaged or disengaged where fitted.

Option B	
Max. flushbolt dimension:	100 mm high x 27 mm deep x 17 mm wide
Max. keep dimension:	27 mm wide by 16 mm deep by 1 mm thick
Material:	Brass or Steel
Position:	Top and bottom on door edge or face (positioned a minimum of 50 mm from leading edge of the door to the centre of the bolt)
Intumescent: protection:	None required
Perimeter intumescents:	Lorient 10 mm by 4 mm Type 617 Intumescent seals in accordance with the configuration for use with single or double railed door leaves (see Table 5 for maximum leaf sizes)
Configuration:	The primary leaf may be latched or unlatched.
	Flushbolts may be engaged or disengaged where fitted.

Barrel bolts which are wholly surface mounted and do not encroach into the door/frame gap may be fitted providing these items are screw fixed only, and not bolted through the full thickness of the door.

When fitted to the closing face of the door assembly, the bolt may be located within a tight recess to the frame head stop.

13d. Door Viewers

Door viewers may be fitted into the leaf providing the viewer comprises a metal sleeve and an optical glass lens and is not positioned higher than 1500 mm from the threshold to the centre line of the viewer barrel.

The viewer should have an external diameter of not greater than 15 mm.

The aperture provided for the installation of the viewer should be fully lined with 1mm thick Interdens intumescent sheet material, ensuring that the viewer is a tight fit.

One or more door viewers may be fitted providing a minimum of 100 mm centre-to-centre is retained between viewers.

Additionally, door viewers referenced UK Fixings 22528 may be utilised.

13e. Air transfer grilles

No site cutting of apertures permitted as this will invalidate the certification.

Where apertures are pre-cut by Jeld-Wen UK Limited, or a CERTIFIRE approved Licensed Door Processor, Intumescent Air Transfer Grilles may be fitted on site by NON-CERTIFIRE approved staff, however, the Intumescent Air Transfer Grilles shall be CERTIFIRE approved for use in FD30 timber based doors. The air transfer grilles must be fitted into apertures prepared in line with the relevant CERTIFIRE certificate for the air transfer grille. Care must be taken to ensure all fitting instructions are followed, including any constraints imposed by the CERTIFIRE certificate with regards to position of the air transfer grille within the door assembly.

13f. Letter Plates

Where letter plates are fitted, the aperture for a letter plate may be formed on site by NON-CERTIFIRE approved staff, however, the letter plates shall be CERTIFIRE approved for use in FD30 timber based doors. The letter plates must be fitted into apertures prepared in line with the relevant CERTIFIRE certificate for the letter plate. Care must be taken to ensure all fitting instructions are followed, including any constraints imposed by the CERTIFIRE certificate with regards to position of the letter plate within the door assembly.

13g. Coat Hooks and Other Surface Mounted Hardware

Ancillary items which are wholly surface mounted may be fitted providing:

- These items are screw fixed or bonded only
- Are not bolted through the full thickness of the door
- Are not directly above, or closer than 100 mm to any non-insulated glazing

13h. Dropseals

CERTIFIRE approved dropseals may be fitted to the bottom edge of CF160 door leaves, including, but not limited to the Lorient Polyproducts LAS8001si.

Fire and Acoustic Seals, FAS45 dropseals with overall dimensions 21 mm high by 11 mm wide are also permitted.

Where dropseals are fitted, the recess for a dropseal may be formed on site by NON-CERTIFIRE approved staff. Care must be taken to ensure all fitting instructions are followed, including any constraints imposed by the CERTIFIRE certificate.

Wholly surface mounted CERTIFIRE approved dropseals may also be fitted to the bottom edge of CF160 door leaves.

Note: Threshold gaps as stated in Section 3 are to be maintained

13i. Electric Strikes / Electromechanical locks

Not permitted

14. Further Information

Further information regarding the details contained in this data sheet may be obtained from JELD-WEN UK Limited (Tel: 0114 2293250).

Further information regarding the CERTIFIRE certification and other approved products can be obtained from Warringtonfire Testing and Certification (Tel: +44 (0) 1925 646777).