

Core:- 44mm CF195 Stiled & Railed Premdor

Configuration:- Pair

Action:- Single Action

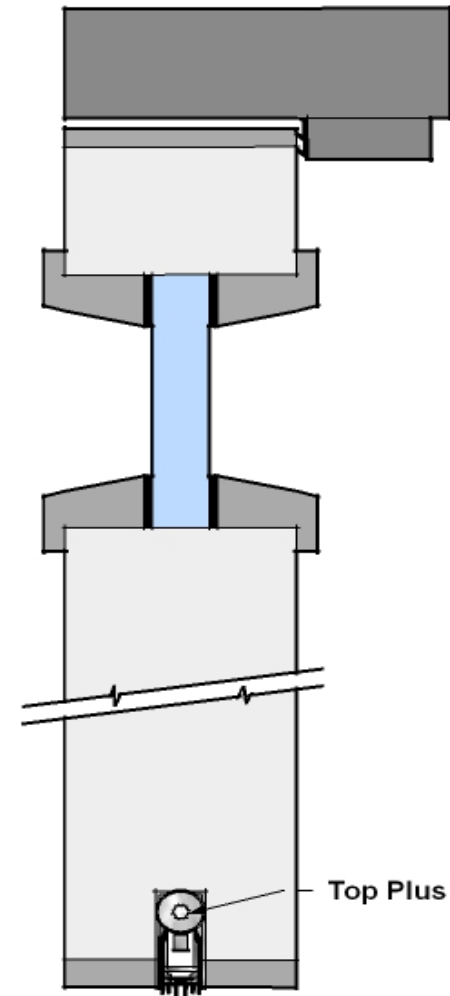
Vision Panel:- 7mm Glass

UKAS Test House :- SRL Technical Services Limited

Certificate Number:- C/22478/T01

Test Number:- 037

Acoustic Rating:- Rw 32dB



Please Note:-

Drawings are for indication of acoustic's only not fire, the correct configuration of fire seals must be added to achieve the required fire rating for the core.

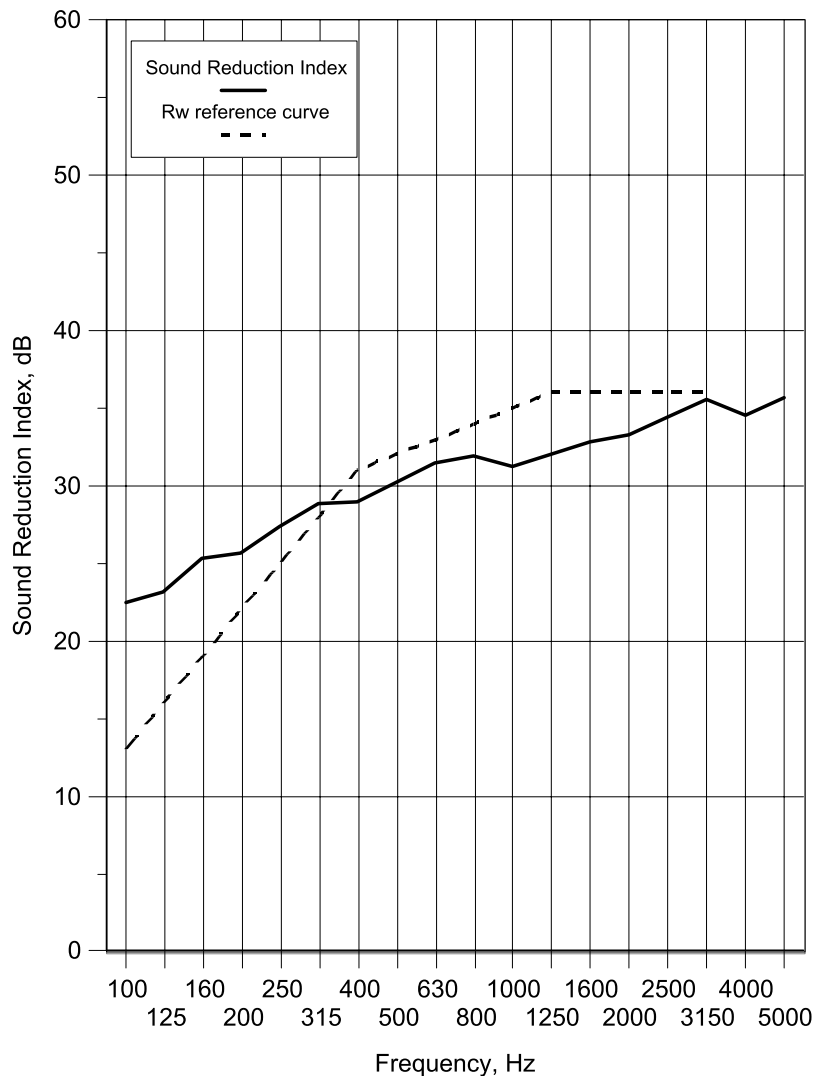
Vision Panel Area to be minimum area of 8% of the door & maximum of 25% of the door.

Above drawings are indicative only

Test Number : 37
Client: Midland Building Products
Test Date: 24/04/2013
Sample height: 2.1 m
Sample width: 1.002 m
Sample weight: 23.659 kg/m2
Product Pair 44mm Premdor/Framed CF195. Glazing=7mm Pyroguard
Identification: Perimeter seal=FAS PER 35
 Threshold seal=Top Plus
 Meeting stile seal=15x4 Dual Seal

Test Room: **Source** **Receiving**
Air temperature: 16.2 °C 16.2 °C
Air humidity: 64 % 64 %
Volume: 115 m3 300 m3
Air Pressure: 1014 mbar

Freq f Hz	Sound Reduction Index, dB	
	1/3 Oct	1/1 Oct
50+	24.8	21.7
63+	20.9	
80+	20.5	
100	22.5	23.5
125	23.2	
160	25.3	
200	25.7	27.1
250	27.4	
315	28.9	
400	29.0	30.1
500	30.2	
630	31.5	
800	31.9	31.7
1000	31.3	
1250	32.0	
1600	32.8	33.4
2000	33.3	
2500	34.4	
3150	35.6	35.2
4000	34.5	
5000	35.7	
6300+	38.8	38.3
8000+	39.2	
10000+	37.1	
Average 100-3150	29.7	Version v2.0



Rating according to BS EN ISO 717-1:1997

Rw(C;Ctr)= **32 (0;-2) dB**

* shows measurement corrected for background

+ shows frequency beyond standard and not UKAS accredited