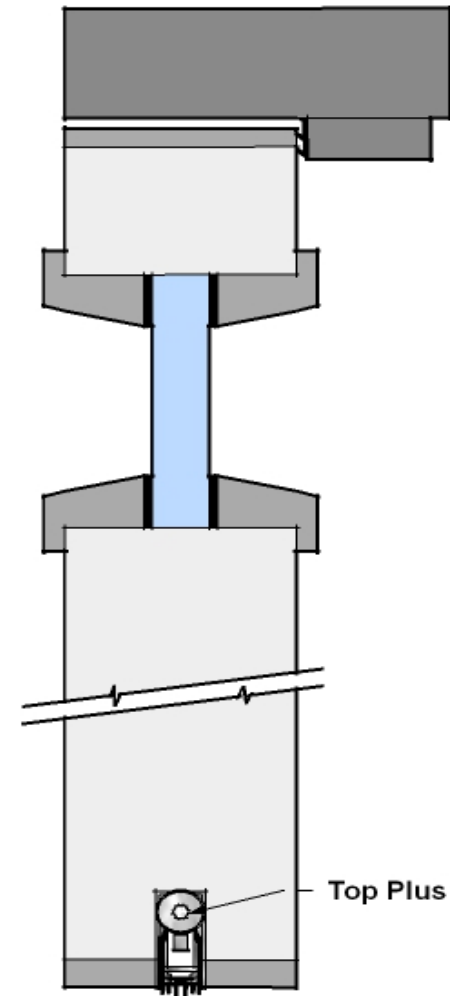


Core:- 54mm Strebord
Configuration:- Pair
Action:- Single Action
Vision Panel:- 7mm Glass
UKAS Test House :- SRL Technical Services Limited
Certificate Number:- C/22478/T01
Test Number:- 063

Acoustic Rating:- Rw 36dB



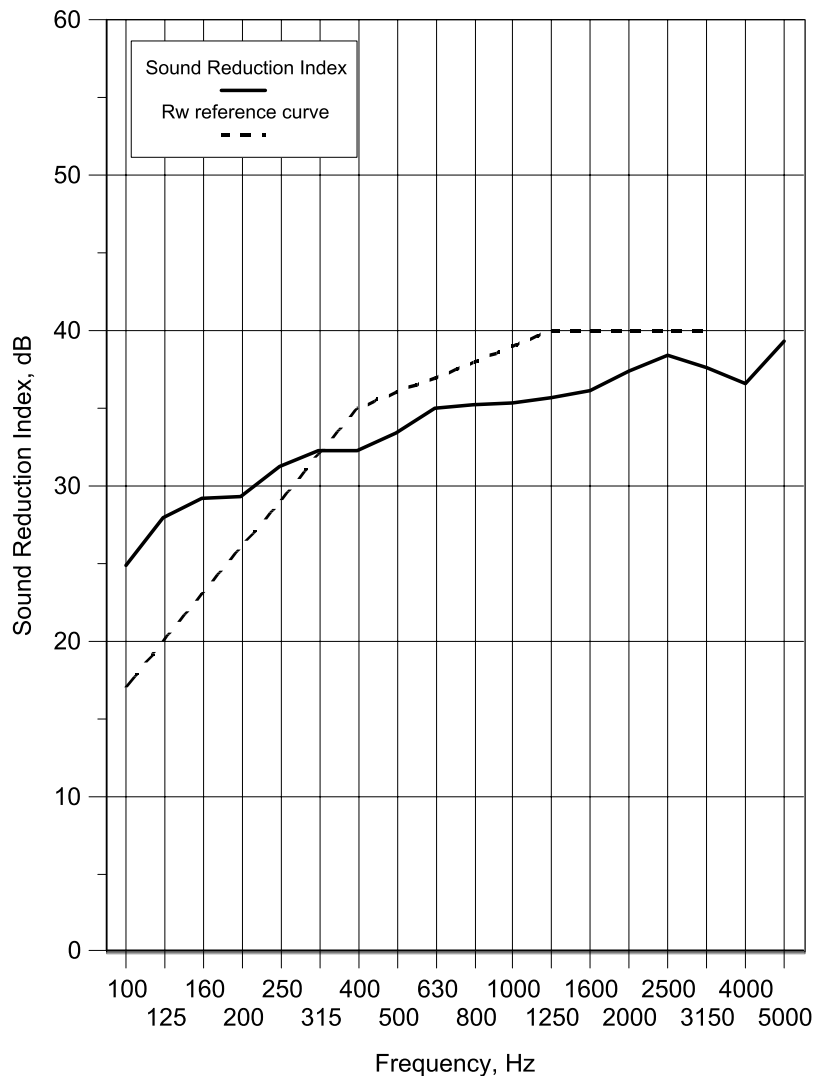
Please Note:-

Drawings are for indication of acoustic's only not fire, the correct configuration of fire seals must be added to achieve the required fire rating for the core.
Vision Panel Area to be minimum area of 8% of the door & maximum of 25% of the door.

Above drawings are indicative only

Test Number :	63	Test Room:	Source	Receiving
Client:	Midland Building Products	Air temperature:	17.2 °C	17.2 °C
Test Date:	25/04/2013	Air humidity:	69 %	69 %
Sample height:	2.1 m	Volume:	115 m3	300 m3
Sample width:	1.002 m			
Sample weight:	32.697 kg/m2	Air Pressure:	1010 mbar	
Product	Pair 54mm Strebord. Glazing=12mm Pyrobelite			
Identification:	Perimeter seal=FAS PER 35			
	Threshold seal=Top plus			
	Meeting stile seal=15x4 Dual seal			

Freq f Hz	Sound Reduction Index, dB	
	1/3 Oct	1/1 Oct
50+	28.6	23.4
63+	27.6	
80+	19.8	
100	24.9	26.9
125	27.9	
160	29.2	
200	29.3	30.7
250	31.2	
315	32.3	
400	32.3	33.4
500	33.4	
630	35.0	
800	35.2	35.4
1000	35.3	
1250	35.7	
1600	36.2	37.2
2000	37.4	
2500	38.4	
3150	37.6	37.7
4000	36.6	
5000	39.3	
6300+	41.8	39.3
8000+	40.8	
10000+	36.9	
Average 100-3150	33.2	Version v2.0



Rating according to BS EN ISO 717-1:1997

Rw(C;Ctr)= **36 (-1;-2) dB**

* shows measurement corrected for background

+ shows frequency beyond standard and not UKAS accredited